



## Vegetable Slicer TR210 Vegetable Slicer Motor block only - 2 Speeds

ITEM # \_\_\_\_\_

MODEL # \_\_\_\_\_

NAME # \_\_\_\_\_

SIS # \_\_\_\_\_

AIA # \_\_\_\_\_



**602231 (TR210)**

Motor block for vegetable slicer, 2 speeds 340-680 rpm (hopper not included)

### Short Form Specification

Item No. \_\_\_\_\_

For catering facilities, up to 1000 meals per service, specially designed for cuts of vegetables. 2 speeds vegetable slicer (340 and 680 rpm). "No volt release" safety device. Self-braking motor. On/off switch on the body of the machine. Table top version. Motor block only, hopper not included. Add standard lever operated hopper and/or long vegetable hopper and discs/grids to operate the appliance.

### Main Features

- Motor block only: lever-operated or automatic and/or long vegetable hopper and discs/grids need to be added to operate the appliance.
- Suitable for 100-800 meals for table service and up to 1000 meals for catering service.
- Optional automatic hopper with 5/6kg capacity for continuous feed available.
- High flexibility and ergonomcy thanks to the available optional accessories.
- Smart design trolley to place the unit and the 2/1 GN tray to collect cut veggies, to maximize productivity and grant effortless operation (optional).
- Vegetable slicer with slicing, grating, shredding (julienne) as well as dicing and French fries cutting capability.
- Complete and wide selection of blades and grids available (diam. 205 mm).
- Lever operated hopper (including long vegetable and half moon hoppers) to reach the maximum precision in the result (optional).

### Construction

- Power: 750 watts.
- 2 speeds: 340-680 rpm.
- Asynchronous silent industrial motor for heavy duty and longer life.
- Discs (available on request) are made in stainless steel and dishwasher safe.

### Optional Accessories

- Stainless steel trolley for TR210 with 1/1 GN tray rails (GN tray not included) PNC 650065
- Stainless steel shredding disc with S-blades 4x4 mm PNC 650077
- Stainless steel shredding disc with S-blades 6x6 mm (can also be used for French fries) PNC 650078
- Stainless steel shredding disc with S-blades 8x8 mm (can also be used for French fries) PNC 650079
- Stainless steel shredding disc with S-blades 10x10 mm (can also be used for French fries) PNC 650080
- Stainless steel pressing/slicing disc with S-blades 0,6 mm (can be used for slicing or combined with grids) PNC 650081
- Stainless steel pressing/slicing disc with S-blades 1 mm (can be used for slicing or combined with grids) PNC 650082
- Stainless steel pressing/slicing disc with S-blades 2 mm (can be used for slicing or combined with grids) PNC 650083

APPROVAL: \_\_\_\_\_



## Vegetable Slicer TR210 Vegetable Slicer Motor block only - 2 Speeds

- |  |            |                          |   |            |                          |
|--|------------|--------------------------|---|------------|--------------------------|
| • Stainless steel pressing/slicing disc with S-blades 3 mm (can be used for slicing or combined with grids)  | PNC 650084 | <input type="checkbox"/> | • Aluminum pressing/slicing disc with straight blades 8 mm - for dicing   | PNC 650116 | <input type="checkbox"/> |
| • Stainless steel pressing/slicing disc with S-blades 4 mm (can be used for slicing or combined with grids)  | PNC 650085 | <input type="checkbox"/> | • Stainless steel shredding disc with S-blades 2x8 mm   | PNC 650158 | <input type="checkbox"/> |
| • Stainless steel pressing/slicing disc with S-blades 5 mm (can be used for slicing or combined with grids)  | PNC 650086 | <input type="checkbox"/> | • Stainless steel shredding disc with S-blades 2x10 mm  | PNC 650159 | <input type="checkbox"/> |
| • Stainless steel pressing/slicing disc with S-blades 6 mm (can be used for slicing or combined with grids)  | PNC 650087 | <input type="checkbox"/> | • Stainless steel pressing/slicing disc with S-blades 10 mm (can be used for slicing or combined with grids)            | PNC 650160 | <input type="checkbox"/> |
| • Stainless steel pressing/slicing disc with S-blades 8 mm (can be used for slicing or combined with grids)  | PNC 650088 | <input type="checkbox"/> | • Stainless steel pressing/slicing disc with S-blades 12 mm (can be used for slicing or combined with grids)            | PNC 650161 | <input type="checkbox"/> |
| • Stainless steel pressing/slicing disc with corrugated S-blades 2 mm (can be used for slicing or combined with grids)                                     | PNC 650089 | <input type="checkbox"/> | • Stainless steel pressing/slicing disc with corrugated S-blades 8 mm (can be used for slicing or combined with grids)  | PNC 650162 | <input type="checkbox"/> |
| • Stainless steel pressing/slicing disc with corrugated S-blades 3 mm (can be used for slicing or combined with grids)                                     | PNC 650090 | <input type="checkbox"/> | • Stainless steel pressing/slicing disc with corrugated S-blades 10 mm (can be used for slicing or combined with grids) | PNC 650164 | <input type="checkbox"/> |
| • Stainless steel pressing/slicing disc with corrugated S-blades 6 mm (can be used for slicing or combined with grids)                                     | PNC 650091 | <input type="checkbox"/> | • Stainless steel pressing/slicing disc with S-blades 13 mm (can be used for slicing or combined with grids)            | PNC 650165 | <input type="checkbox"/> |
| • Bistrot Pack-set stainless steel discs (2mm and 5mm slicing pressing disc, 2mm grating disc)   | PNC 650092 | <input type="checkbox"/> | • Stainless steel shredding disc with S-blades 2x2 mm   | PNC 650166 | <input type="checkbox"/> |
| • Stainless steel lever-operated hopper for TR210 (no cutting chamber, no ejector)   | PNC 650094 | <input type="checkbox"/> | • Stainless steel shredding disc with S-blades 3x3 mm   | PNC 650167 | <input type="checkbox"/> |
| • Set of 3 stainless steel discs for Pizza (2mm and 4mm pressing/slicing discs with S-blades, 7mm grating disc)  | PNC 650107 | <input type="checkbox"/> | • Set of 4 stainless steel discs (2mm and 5mm slicing pressing discs, 2mm and 7mm grating discs)                        | PNC 650178 | <input type="checkbox"/> |
| • Stainless steel long vegetable hopper with 4 tubes different sizes with pusher (no cutting chamber, no ejector) for TR210                                | PNC 650109 | <input type="checkbox"/> | • Dicing grid 5x5 mm  | PNC 653566 | <input type="checkbox"/> |
| • Cleaning tool for TRS, TRK & TR210 5-8-10 mm dicing grids  | PNC 650110 | <input type="checkbox"/> | • Dicing grid 8x8 mm  | PNC 653567 | <input type="checkbox"/> |
| • Dicing set 10x10x10mm (10mm aluminum slicing pressing disc with 205mm diam. and 10mm grid)   | PNC 650112 | <input type="checkbox"/> | • Dicing grid 10x10 mm  | PNC 653568 | <input type="checkbox"/> |
| • Gastronomy Pack-set discs (2mm, 5mm and 10mm slicing pressing discs, 2mm grating disc, 4x4mm shredding disc, 10x10mm dicing grid) and grid cleaning tool | PNC 650113 | <input type="checkbox"/> | • Dicing grid 12x12 mm  | PNC 653569 | <input type="checkbox"/> |
| • Set of 7 discs (2mm, 5mm and 10mm slicing pressing discs, 2mm and 7mm grating discs, 4x4mm shredding disc, 10x10mm dicing grid) and grid cleaning tool   | PNC 650114 | <input type="checkbox"/> | • Dicing grid 20x20 mm  | PNC 653570 | <input type="checkbox"/> |
| • Aluminum pressing/slicing disc with straight blades 10 mm - for dicing   | PNC 650115 | <input type="checkbox"/> | • Grid for chips 6x6 mm   | PNC 653571 | <input type="checkbox"/> |
|  |            |                          | • Grid for chips 8x8 mm   | PNC 653572 | <input type="checkbox"/> |
|  |            |                          | • Grid for chips 10x10 mm   | PNC 653573 | <input type="checkbox"/> |
|  |            |                          | • Support for 1 disc, diam. 175mm and 205mm   | PNC 653632 | <input type="checkbox"/> |
|  |            |                          | • Ejector disc  | PNC 653772 | <input type="checkbox"/> |
|  |            |                          | • Stainless steel grating disc 2 mm   | PNC 653773 | <input type="checkbox"/> |
|  |            |                          | • Stainless steel grating disc 3 mm   | PNC 653774 | <input type="checkbox"/> |
|  |            |                          | • Stainless steel grating disc 4 mm   | PNC 653775 | <input type="checkbox"/> |
|  |            |                          | • Stainless steel grating disc 7 mm   | PNC 653776 | <input type="checkbox"/> |
|  |            |                          | • Stainless steel grating disc 9 mm   | PNC 653777 | <input type="checkbox"/> |
|  |            |                          | • Stainless steel grating disc for knoedeln and bread   | PNC 653778 | <input type="checkbox"/> |
|  |            |                          | • Stainless steel grating disc for parmesan and bread   | PNC 653779 | <input type="checkbox"/> |
|  |            |                          | • Stainless steel automatic hopper tr210 (no cutting chamber, no ejector) dim (w)450 (d)416 (h)450mm + agitator         | PNC 653884 | <input type="checkbox"/> |



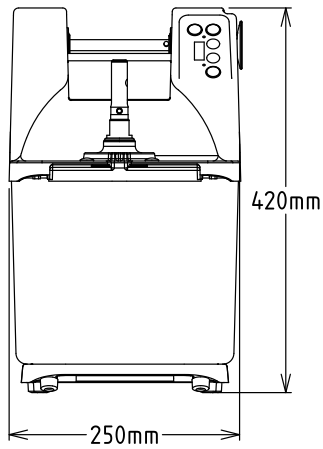
Vegetable Slicer  
TR210 Vegetable Slicer Motor block only - 2 Speeds

The company reserves the right to make modifications to the products without prior notice. All information correct at time of printing.



# Vegetable Slicer TR210 Vegetable Slicer Motor block only - 2 Speeds

Front



Electric

<b>Supply voltage:</b>	380-415/380-440 V/3 ph/50/60 Hz
<b>Electrical power, max:</b>	0.75 kW
<b>Total Watts:</b>	0.75 kW

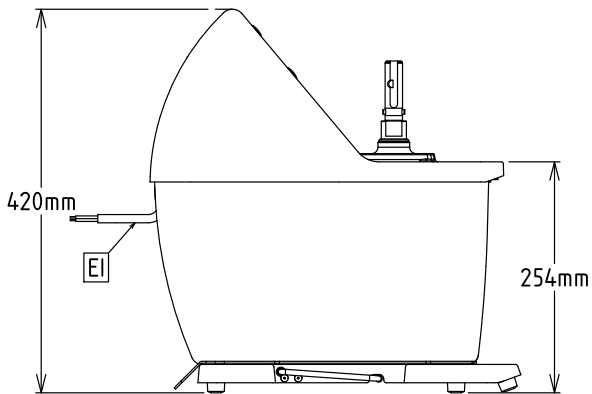
Capacity:

<b>Performance (up to):</b>	2100 kg/Cycle
-----------------------------	---------------

Key Information:

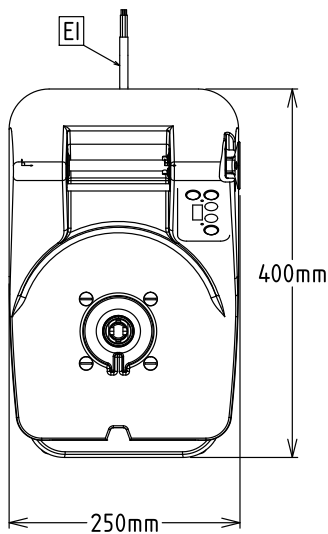
<b>External dimensions, Width:</b>	400 mm
<b>External dimensions, Depth:</b>	250 mm
<b>External dimensions, Height:</b>	420 mm
<b>Shipping weight:</b>	34.7 kg

Side



EI = Electrical inlet  
(power)

Top



Vegetable Slicer  
TR210 Vegetable Slicer Motor block only - 2 Speeds

The company reserves the right to make modifications to the products without prior notice. All information correct at time of printing.



2026.05.21